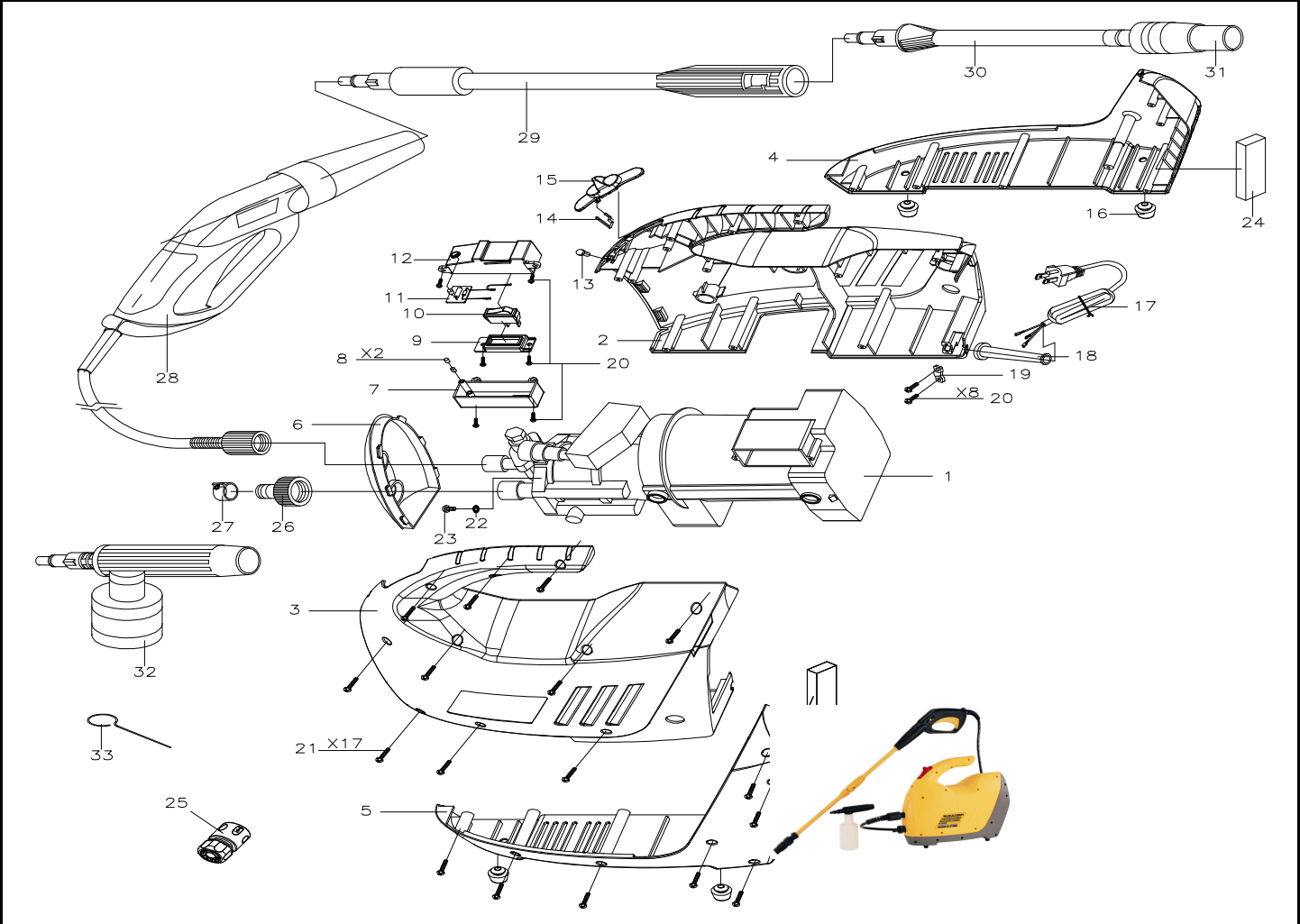




**SERVICE SPARE PARTS LIST  
FH130B (OLD MODEL)**

SPECIFY MODEL NO. WHEN ORDERING PARTS	DATE	REVISED DATE
<b>ELECTRIC HIGH PRESSURE WASHER</b>		
JENN FENG MODEL NO. AH130B00CD MCCULLOCH MODEL NO. FH130B (OLD MODEL)	<b>7-Apr-06</b>	



No.	Parts No.	Description	Q	No.	Parts No.	Description	Q
1	6228-T13002B	PUMP & MOTOR ASS'Y	1	18	6199-830001	CORD GUARD	1
2	6038-T13001	HOUSING (R)	1	19	6043-840001	CORD ANCHORAGE	1
3	6038-T13002	HOUSING (L)	1	20	6SDABB04-14	SCREW	8
4	6003-T13001	HOUSING, BOTTOM (R)	1	21	6SDABB04-25	SCREW	17
5	6003-T13002	HOUSING, BOTTOM (L)	1	22	6WIZ-04	WASHER	1
6	6017-T13001	FRONT HOUSING	1	23	6SQAC-04-10	SCREW	1
7	6078-T13002	ENCLOSURE, SWITCH (BOTTOM)	1	24	A 6183-T13001	FILTER	2
8	6272-840002	SILICONE ROD	2	25	A 6154-150002	JOINT	1
9	6072-T13001	SWITCH FIXED CASE	1	26	A 6209-150001	INPUT WATER CONNECTER + O RING	1
10	A 6022-T13001	SWITCH	1	27	6036-150001	HOSE CLAMP	1
11	6164-T13001	PRINTED CIRCUIT BOARD	1	28	A 6228-T13004	GUN & HOSE ASSEMBLY	1
12	6078-T13001	ENCLOSURE, SWITCH	1	29	A 6021-150002B	WAND - MAIN	1
13	6256-T13001	INDICATOR	1	30	A 6021-150001	WAND - EXTENSION	1
14	6114-T13001	LINKAGE ACTUATOR	1	31	A 6228-150003	NOZZLE CLUSTER	1
15	6056-T13001	SWITCH BUTTON	1	32	6228-150004	DETERGENT JAR ASSEMBLY	1
16	6013-T13001	RUBBER STOPPER	4	33	6197-150001	NOZZLE CLEANING NEEDLE	1
17	6011-T13004	POWER CORD	1				

A: SUGGESTED MAJOR PART FOR MAINTENANCE      B: NONRETAIL PART